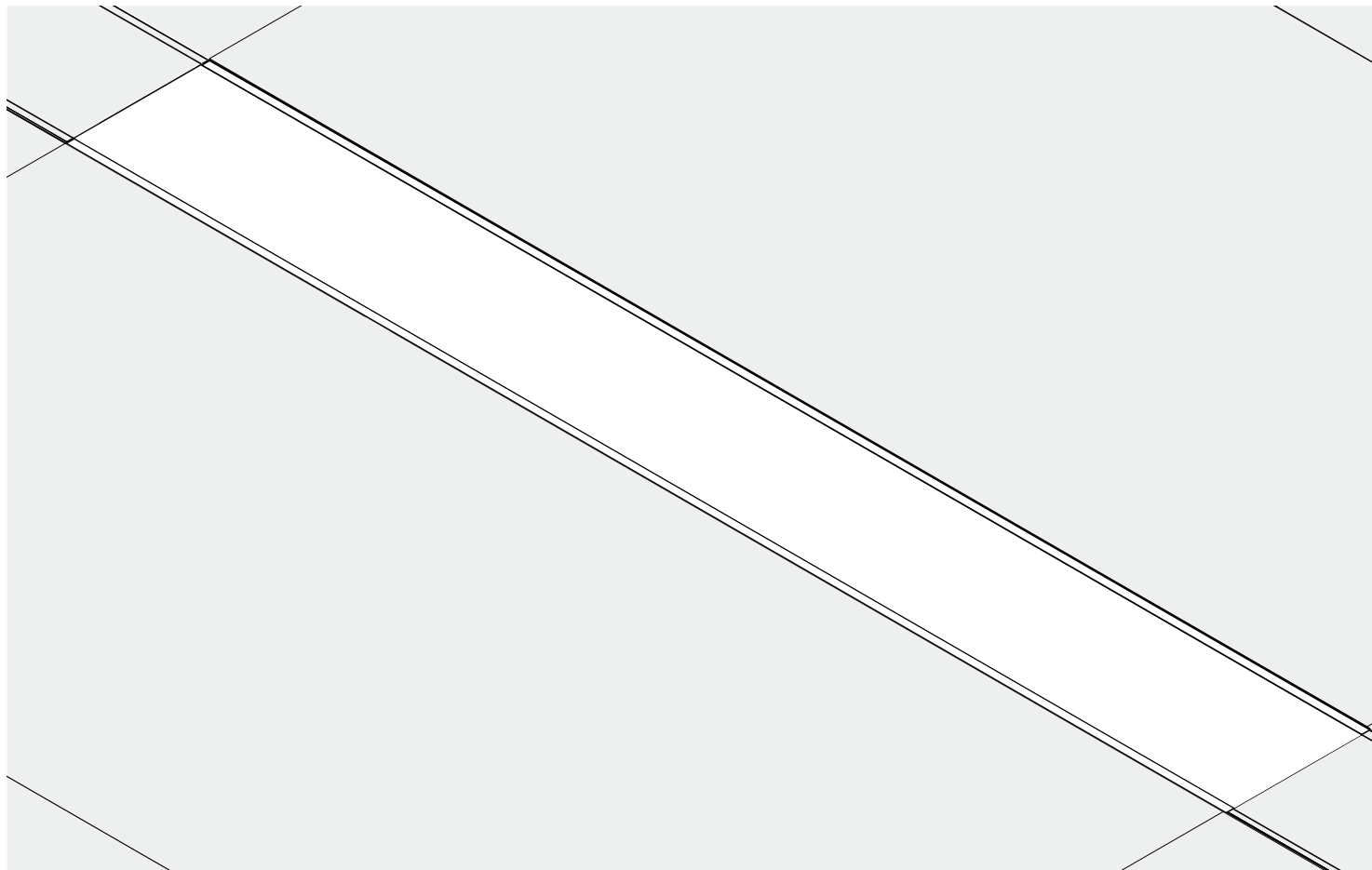


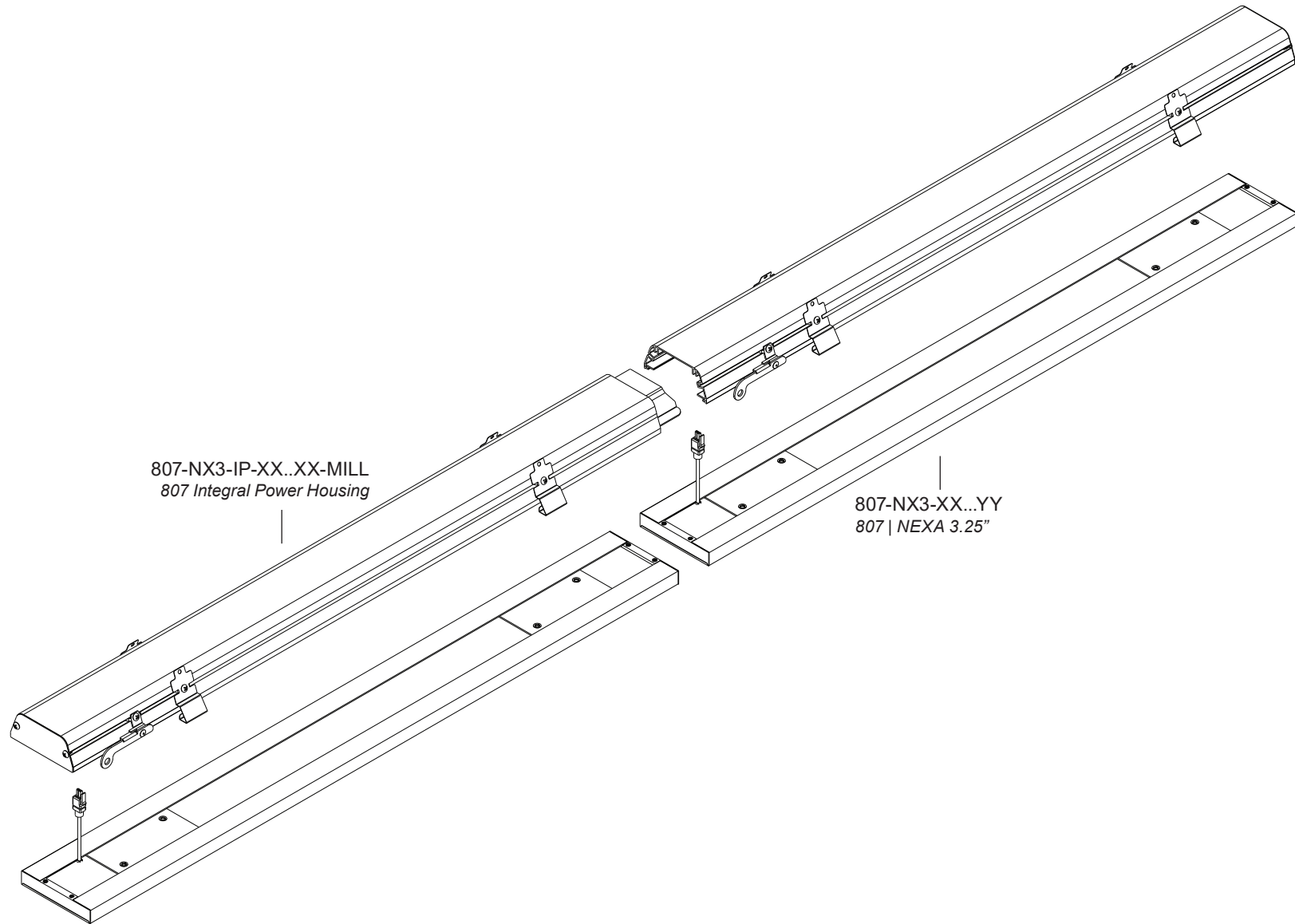
807 | Nexa | Integral Power

Please read instructions in their entirety before proceeding with any part of the installation. This product must be installed in accordance with the applicable installation code by a person familiar with the construction and operation of the product and the hazards involved. Consult a qualified electrician to ensure correct branch circuit rating. To prevent electric shock, disconnect all power before installing or servicing product. Rated for use in dry and damp locations only. Retain instructions for future reference.

Technical Support: 707.996.9898 or technicalsupport@vode.com

Installed View





807-NX3-IP-XX..XX-MILL
807 Integral Power Housing

807-NX3-XX...YY
807 | NEXA 3.25"

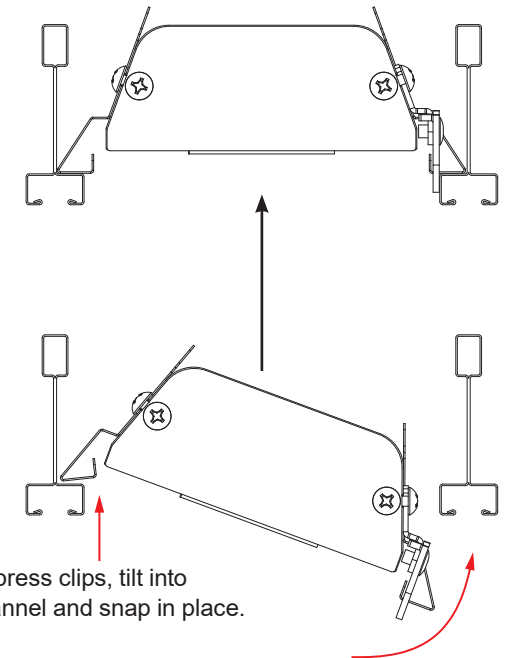
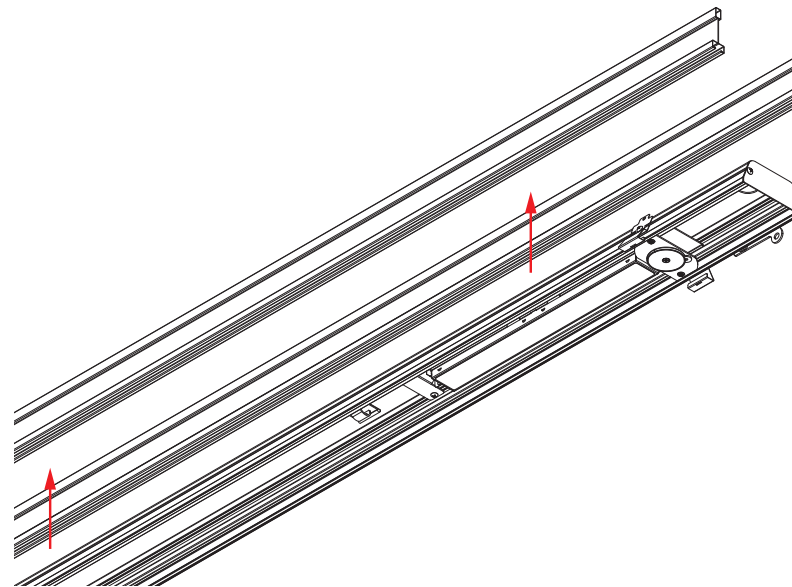
Step 1: Mount Integral Power Housing

Locate installation channel and ensure system layout will fit into space. Integral power housings typically require one power feed per run, recommended to be first housing installed.

Locate powered integral housing, and pre-drill power knock out, careful to not damage any internal components.

Snap housing in place, making sure end cap is facing away from the next rail being installed. See page 6 for rail type details and measurements.

NOTE: Each housing is supplied with tie back locations, to secure to structure as required.



Depress clips, tilt into channel and snap in place.

Step 2: Install All Power Housings

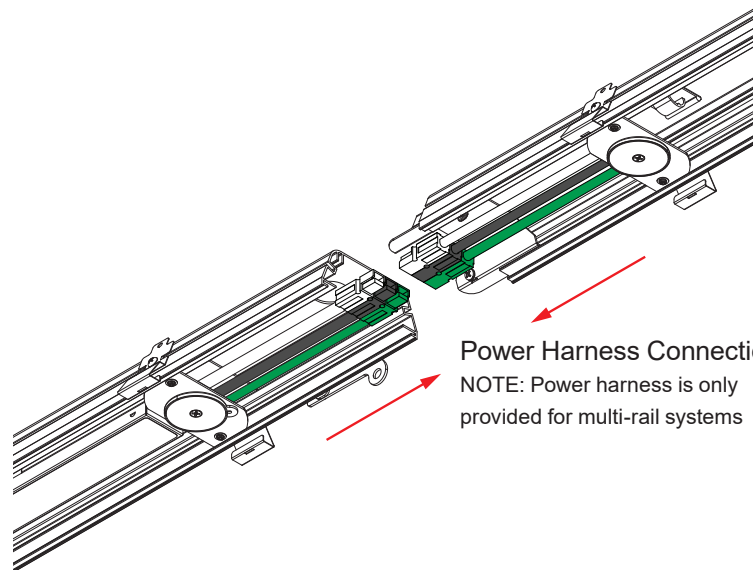
Install the next power housing flush to the first housing. Make line voltage power connections to quick disconnect provided by Vode. Slide installed joiner clip so it is centered over housing joint and tighten installed set screws.

NOTE: One joiner clip will not be needed, in multi rail system. Slide out of place, or discard.

Make power harness connections on all joint-sections using provided with White/Green/Black power harnesses for power (and Grey/Purple power harness for dimming if applicable).

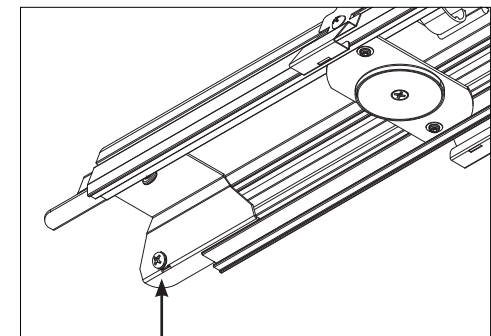
NOTE: No housing should be separated by end caps, see page 6 to ensure system is laid out properly by housing type.

DO NOT POWER SYSTEM



Power Harness Connection

NOTE: Power harness is only provided for multi-rail systems



Joiner Set Screw

NOTE: One joiner clip will not be needed, in multi rail system. Slide out of place, or discard.

Step 3: Install Rails

Locate pre-installed mounting tie back screw on rail, and securely attach provided guide wiring.

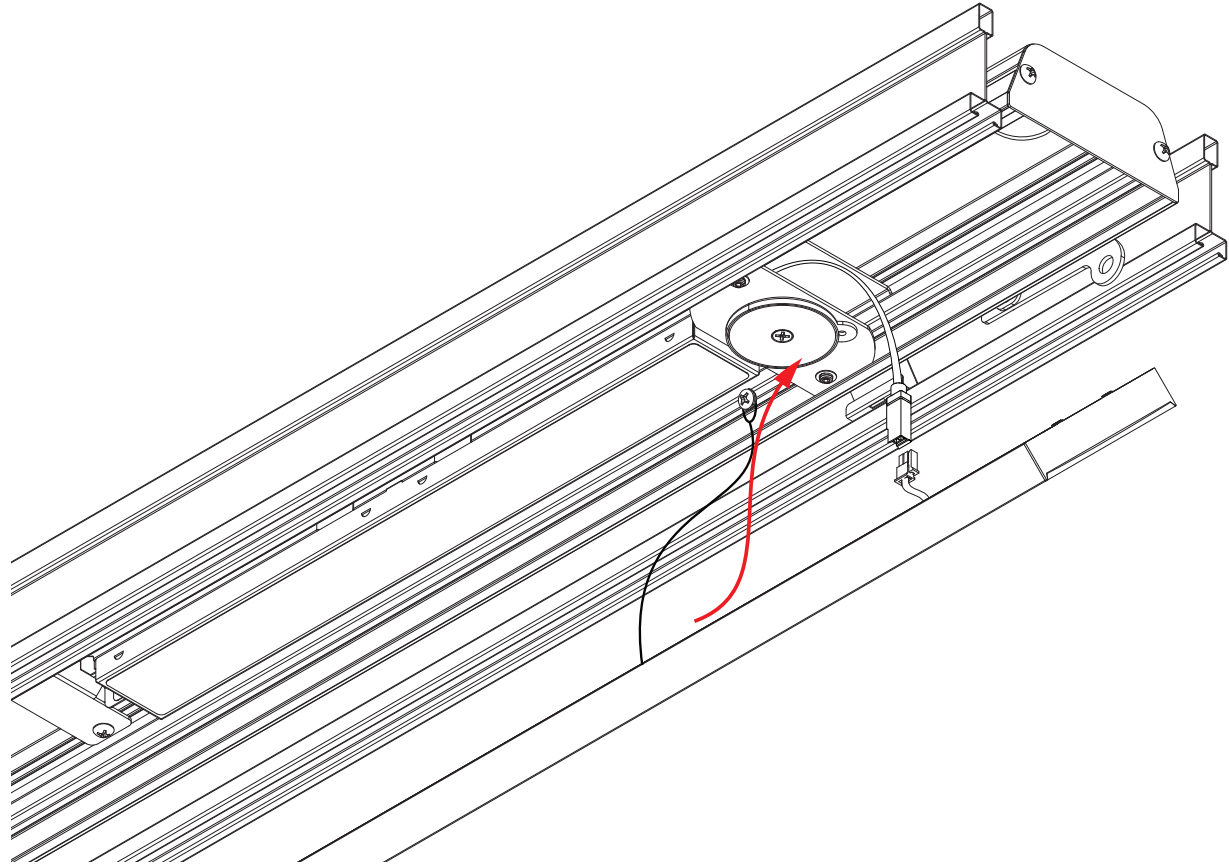
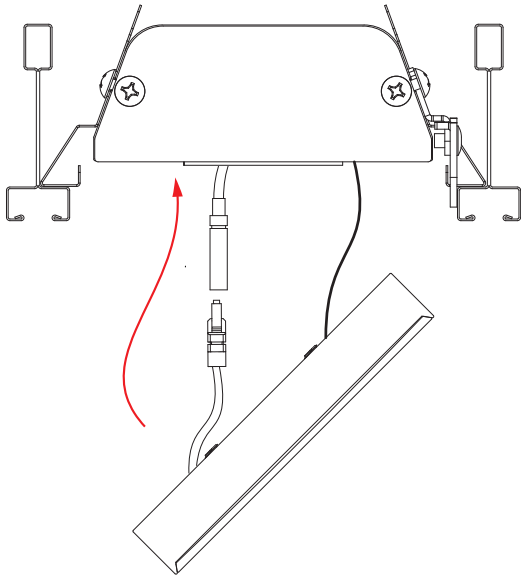
Connect rail wire harness to power harness using quick connects, as show. Be sure connectors are firmly fastened.

Gently press fixture up, aligning with installed magnets, and snap in place.

Repeat with remaining rails.

POWER SYSTEM ON.

NOTE: Use caution when attaching rails. High power magnets will pull the rail to housing quickly. Make sure all wiring and fingers are out of the way.



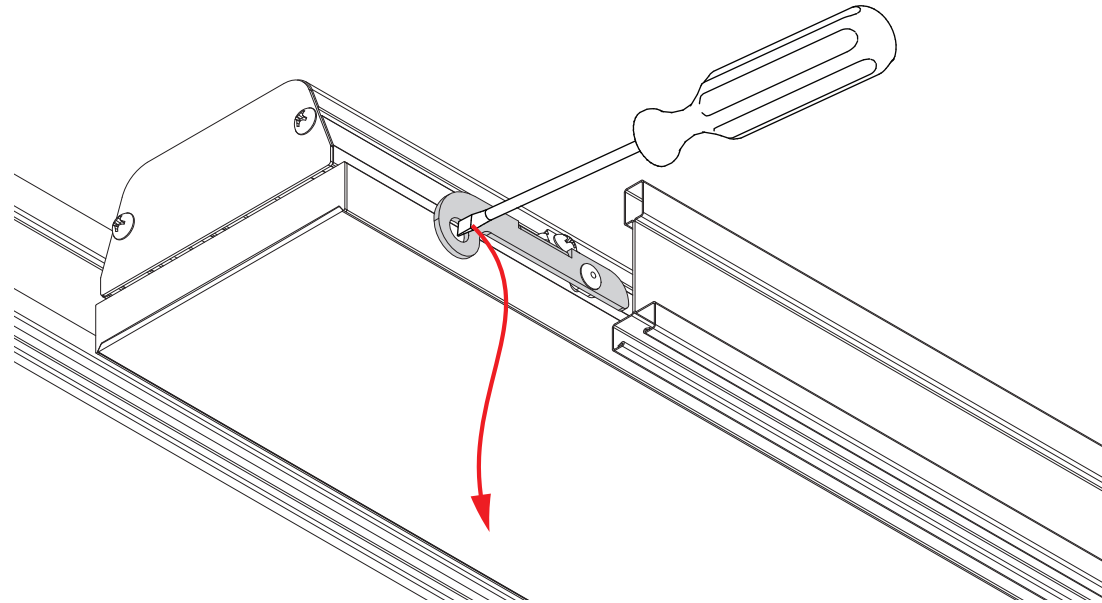
How to Remove Rail

Turn off all power to fixture before attempting fixture removal!

Locate rail removal lever at one end of power housing. Grab ring and pull lever down. Once ring is fully exposed, use a long tool for better leverage.

Pull firmly but using care not to damage rail, magnets are extremely strong so use caution removing rail.

Once rail is removed from housing, follow rail installation steps (step 3) in reverse. Disconnect wire harness and tether wires.



How to Remove Housing

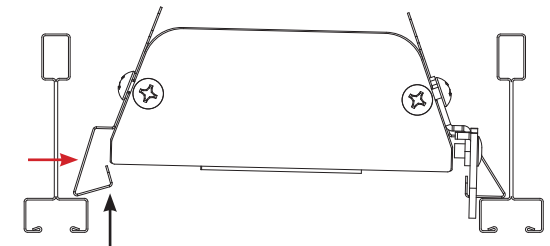
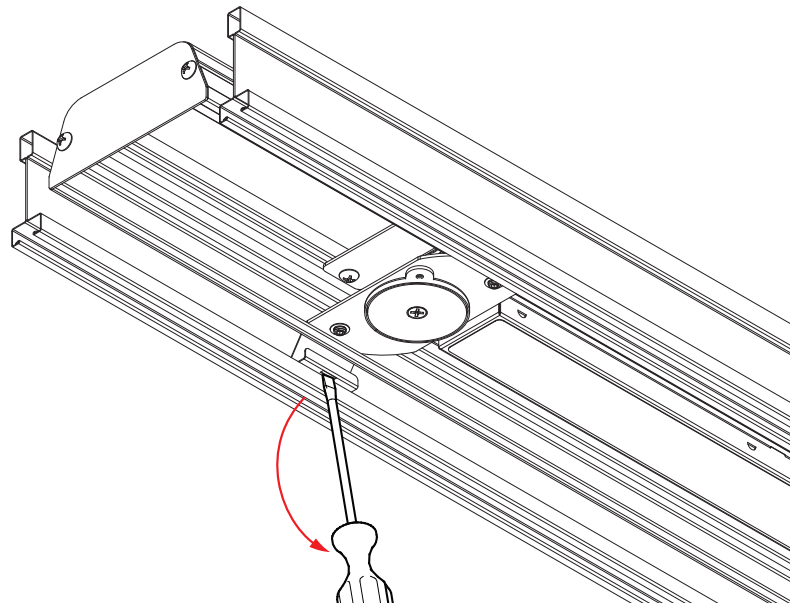
Turn off all power to fixture before attempting housing removal!

NOTE: Rail must be fully removed before attempting removal.

Slide jointer clip out of housing joint, by loosening screws and moving into either housing.

Using long flat head screw driver, gently pull one side of mounting clips on housing, away from T-bar flange. Repeat on all clips on ONE side, being sure to hold housing to prevent it falling.

After all clips on one side are removed from t-bar flange, housing should tilt out of installation channel.



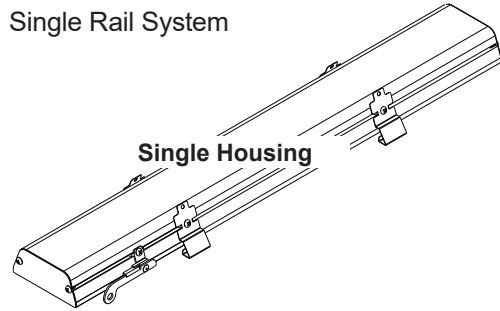
Clip Removal
Using long tool, pull in one side of the mounting clip into channel.

Fixture Layout

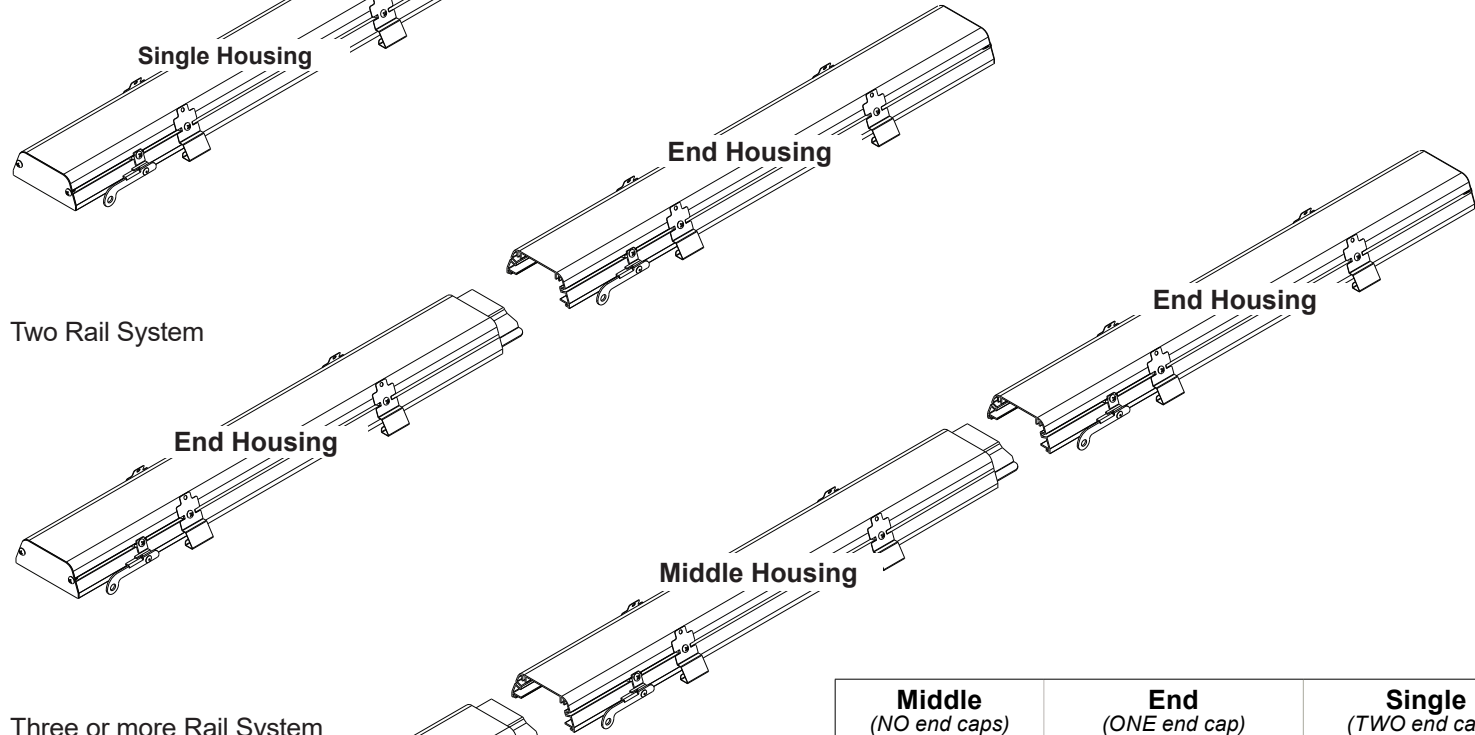
In order for system to install properly, each rail has a different length and quantity of end caps.

Make sure to check each housing is in the correct location per system layout

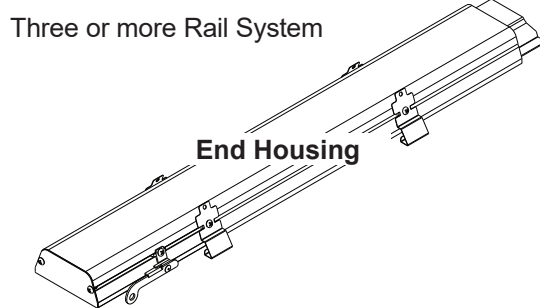
Single Rail System



Two Rail System



Three or more Rail System



Middle <i>(NO end caps)</i>	End <i>(ONE end cap)</i>	Single <i>(TWO end caps)</i>
24" (610 mm)	23.625" (600 mm)	23.25" (590 mm)
30" (762 mm)	29.625" (752 mm)	29.25" (743 mm)
36" (914 mm)	35.625" (905 mm)	35.25" (895 mm)
48" (1219 mm)	47.625" (1210 mm)	47.25" (1200 mm)
60" (1524 mm)	59.625" (1514 mm)	59.25" (1505 mm)
72" (1829 mm)	71.625" (1819 mm)	71.25" (1810 mm)
90" (2286 mm)	89.625" (2276 mm)	89.25" (2267 mm)
96" (2438 mm)	95.625" (2429 mm)	95.25" (2419 mm)

Trouble Shooting Guide

My fixture will not turn on:

Check all wiring is correct and all connections are fastened properly.

If all wiring is correct, remove fixture and connect it to a known working driver.

If the fixture lights up, then the problem is with the installed driver or wiring:

- 1) Check line voltage to driver is present.
- 2) Check driver wiring (see **Vode Power Guide for details**) and check wiring to fixture.
- 3) Check driver and dimming system are compatible (see **Vode Power Guide and the dimmer manufacturer's website**).

If fixture still doesn't light up, check that all dimming wires are installed correctly. Reversed polarity on any driver will cause the entire system to not work, (see **Vode Power Guide for wiring details**).

The fixture is not dimming properly:

Check all wiring is correct and all connections are fastened properly.

Check driver wiring (see **Vode Power Guide for details**). Make sure driver is compatible with dimming controls (see **Vode Power Guide and the dimmer manufacturer's website**).

For any help with installation or technical information, contact Vode Tech Service at 707-996-9898.

Important Notes

- Listed to UL standards for damp location by a Nationally Recognized Testing Laboratory (NRTL) recognized by OSHA
- Power Type: Class 2 (<60v) constant current driver.
- Dimming curve is factory preset to linear. Logarithmic is available upon request. See Vode Driver Guide for specific details and wiring diagram.
- Unless specified, one driver per rail will be supplied.
- 5 Year Limited Warranty. All material and component parts manufactured by Vode are guaranteed to be free from defects of material and/or workmanship for a period of 5 years from date of sale. Product must be installed according to Vode installation instructions and accepted trade practices. Power supplies and other auxiliary equipment are not covered under Vode warranty but may be covered by separate OEM warranty.