

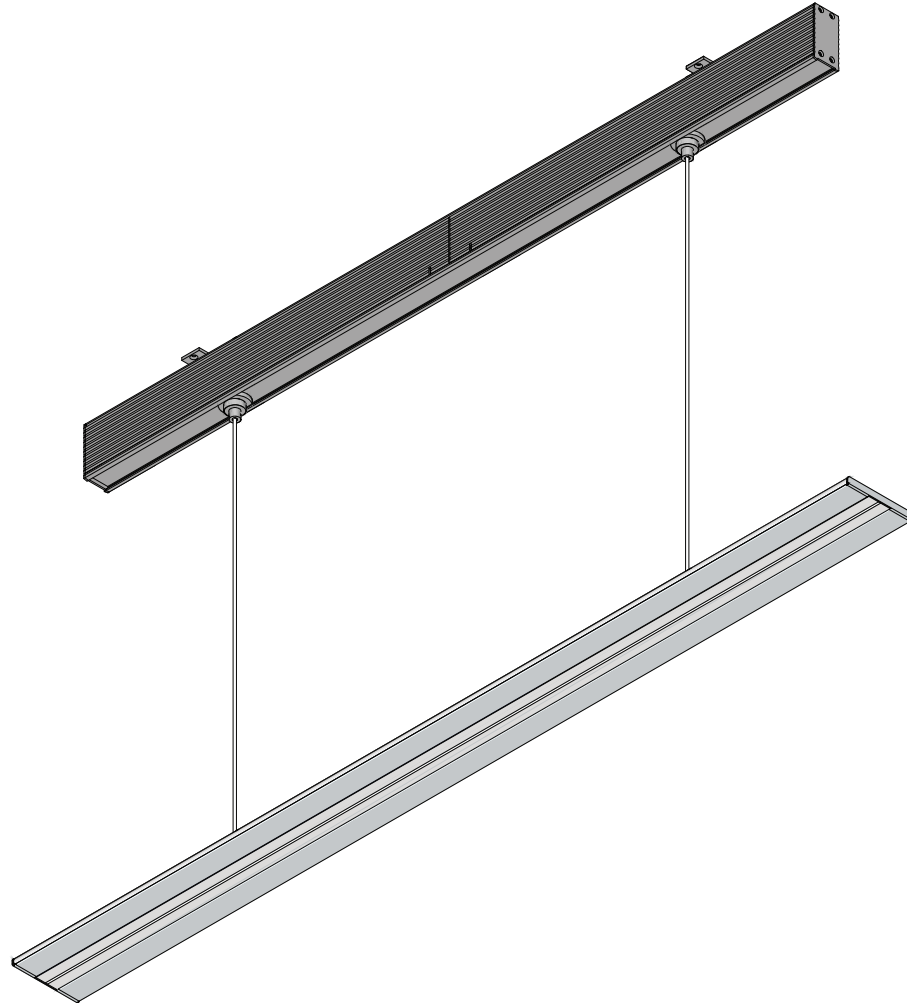
Single Fixture | Ceiling Cable | **Integral Power**

ZipThree™ | 707

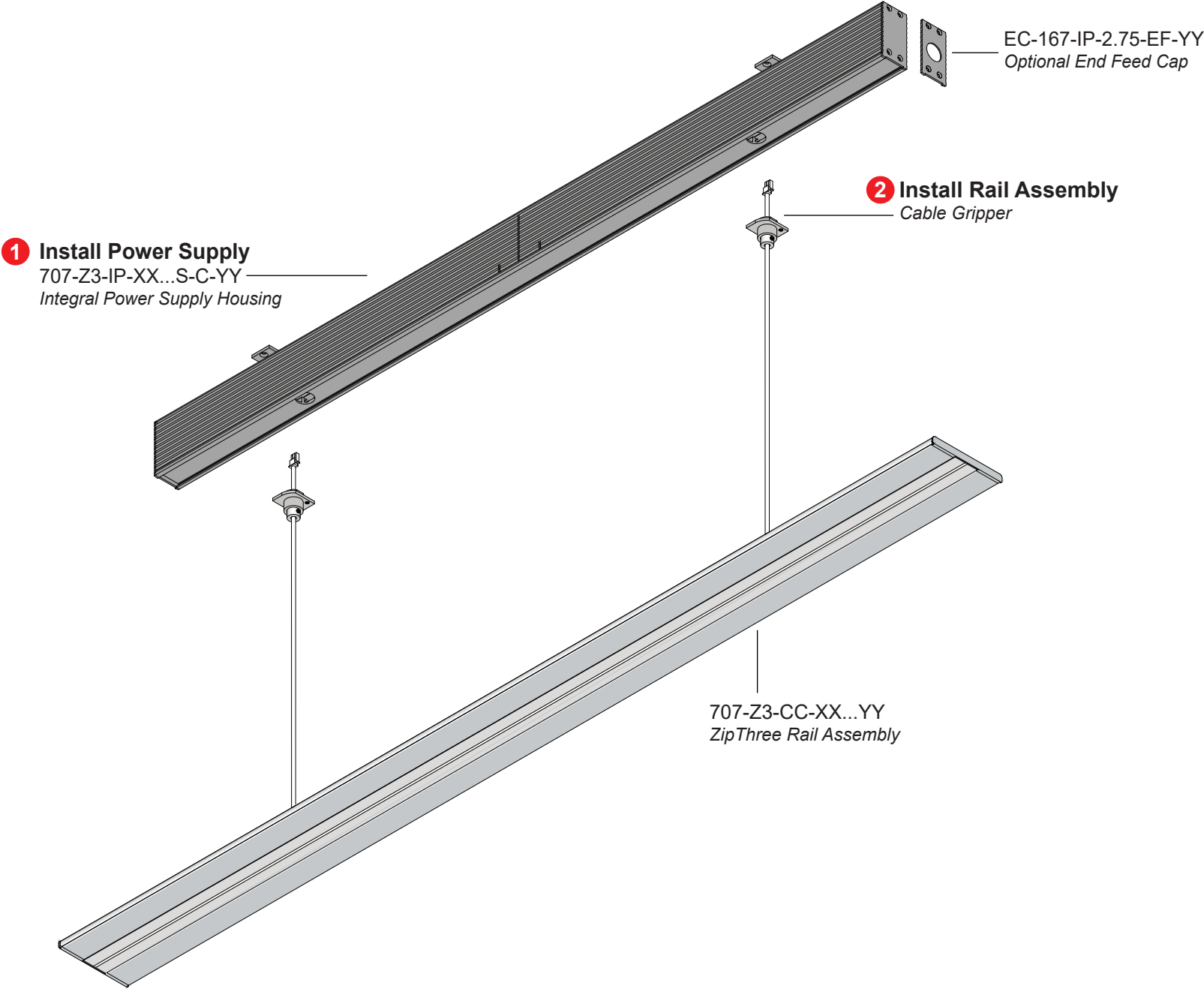
Please read instructions in their entirety before proceeding with any part of the installation. This product must be installed in accordance with the applicable installation code by a person familiar with the construction and operation of the product and the hazards involved. Consult a qualified electrician to ensure correct branch circuit rating. To prevent electric shock, disconnect all power before installing or servicing product. Rated for use in dry and damp locations only. Retain instructions for future reference.

Technical Support: 707-996-9898

Installed View



Parts Diagram

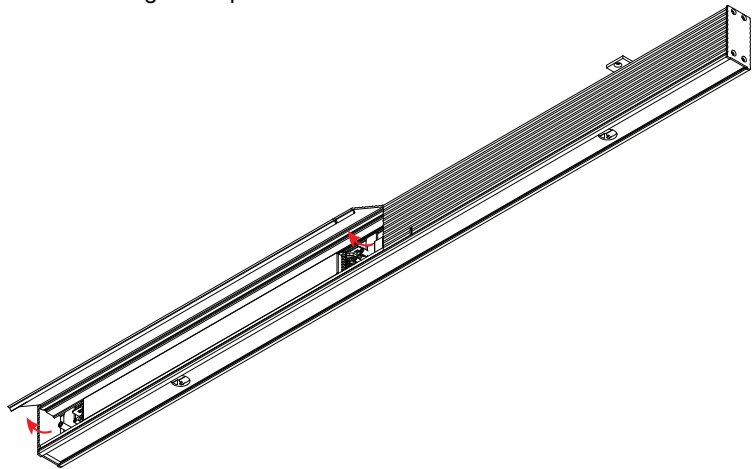


Installation Instructions

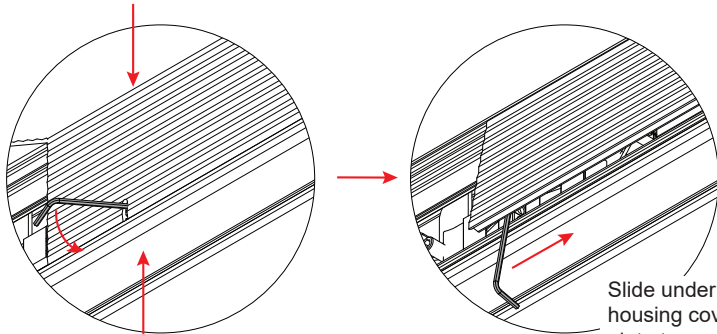
1 Prep Integral Power Housing

Remove power supply cover plate before mounting power supply housing to surface. Insert hex key or small screw driver into slot at one end, gently compressing the sides of the housing as shown, and pry cover up.

Carefully slide hex key or small screw driver under the length of the housing cover plate, paying attention to not damage the finish or bend the housing cover plate.



Compress here to loosen housing cover plate



Compress here to loosen housing cover plate

Slide under housing cover plate to remove

2 Install Integral Power Housing

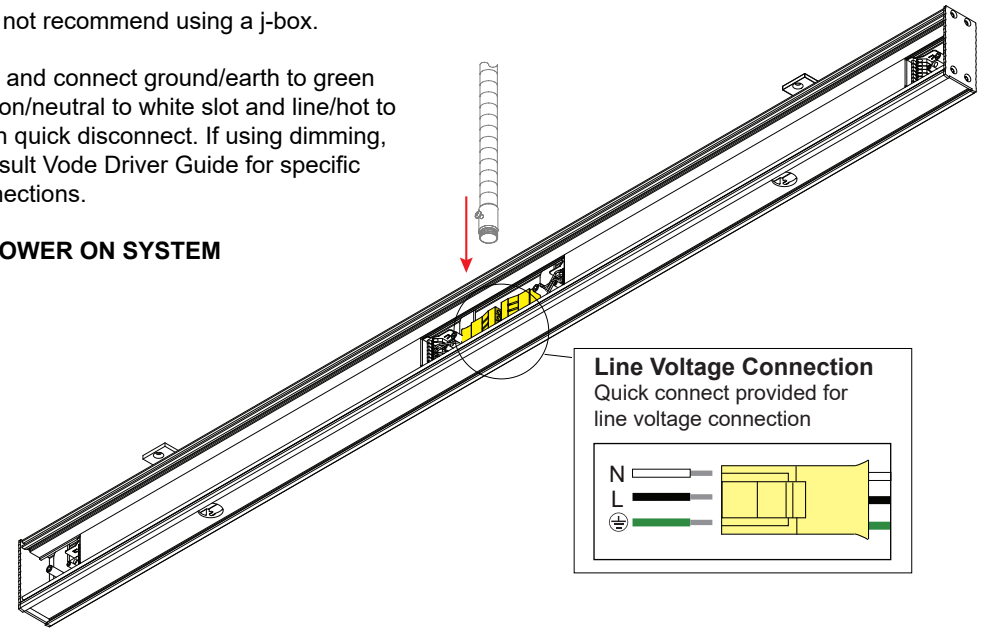
If conduit is required, remove 1/2" NPT plug from the center hole on the top of the housing. Attach 1/2" NPT conduit fitting.

For End Feed Option: Remove four screws from the desired end of the housing and install end feed cap, shown below.

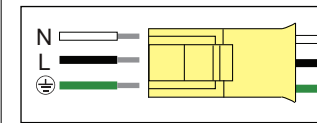
Vode does not recommend using a j-box.

Feed wires and connect ground/earth to green slot, common/neutral to white slot and line/hot to black slot in quick disconnect. If using dimming, please consult Vode Driver Guide for specific wiring connections.

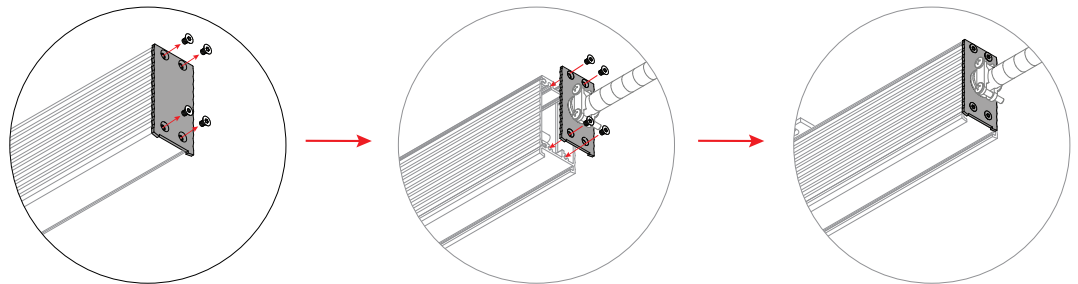
DO NOT POWER ON SYSTEM



Line Voltage Connection
Quick connect provided for line voltage connection



End Feed Option:

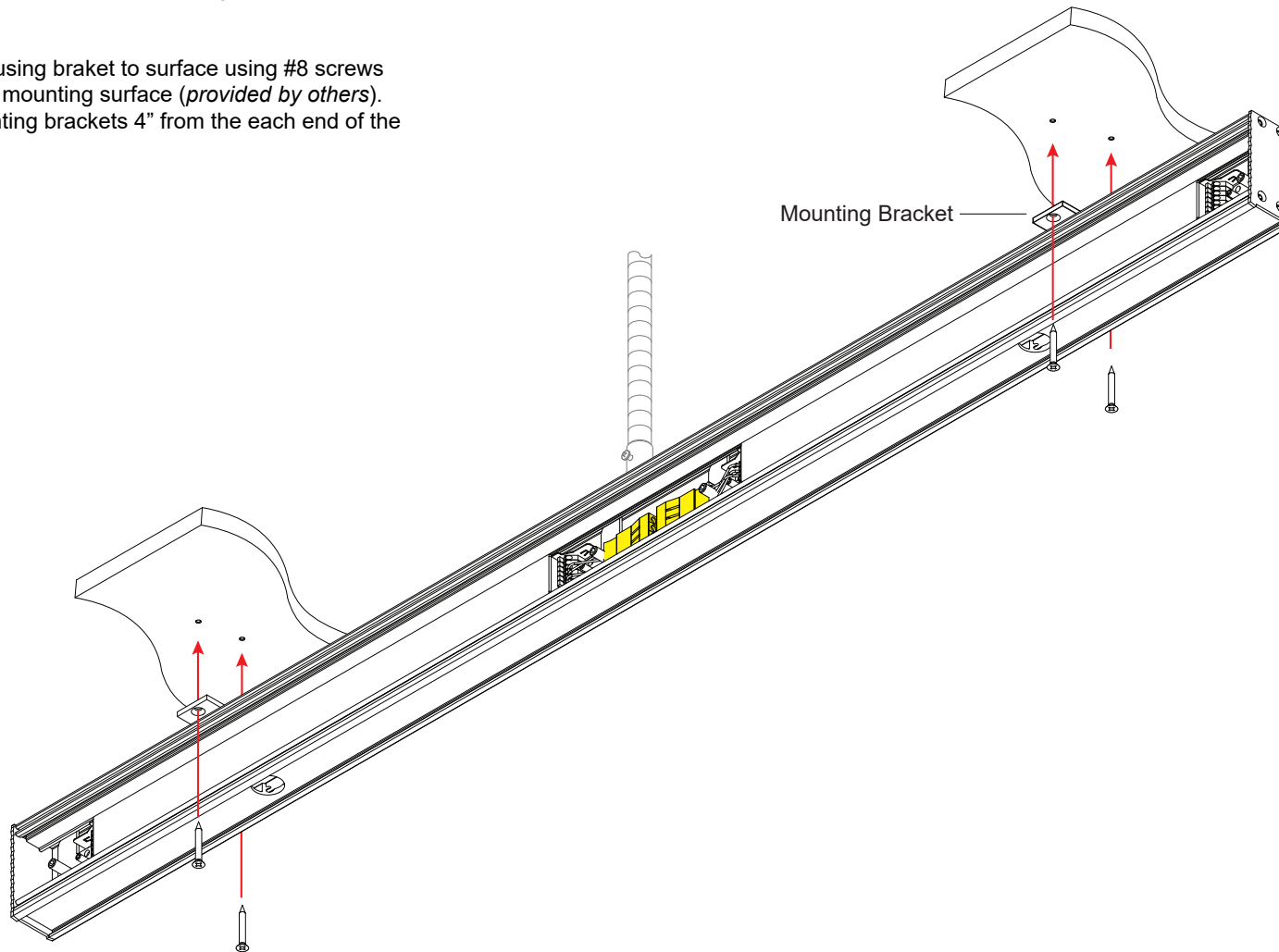


Installation Instructions

3 Install Integral Power Housing

NOTE: Ceiling mount brackets can be adjusted along the length of the power supply housing. Mounting brackets must be mounted to blocking or engineered anchors. For fixture weights, see Spec Guide.

Secure power supply housing bracket to surface using #8 screws designed for appropriate mounting surface (*provided by others*). Vode recommends mounting brackets 4" from the each end of the housing.



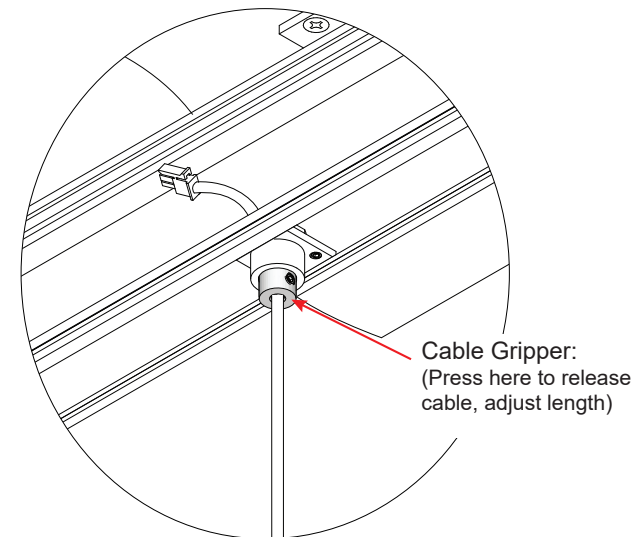
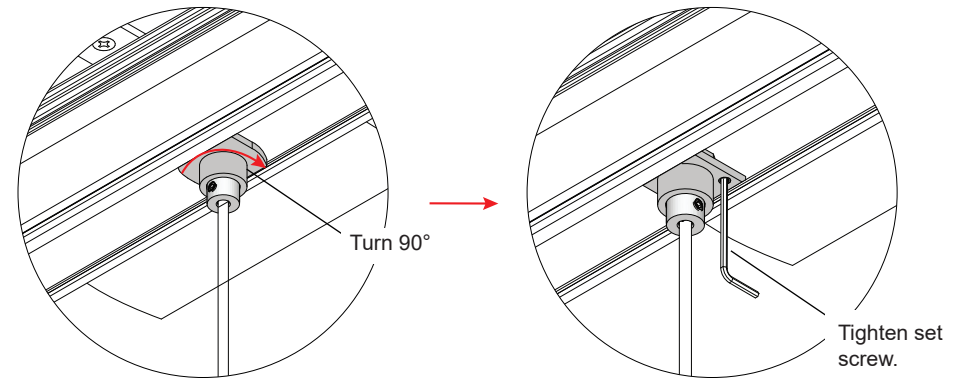
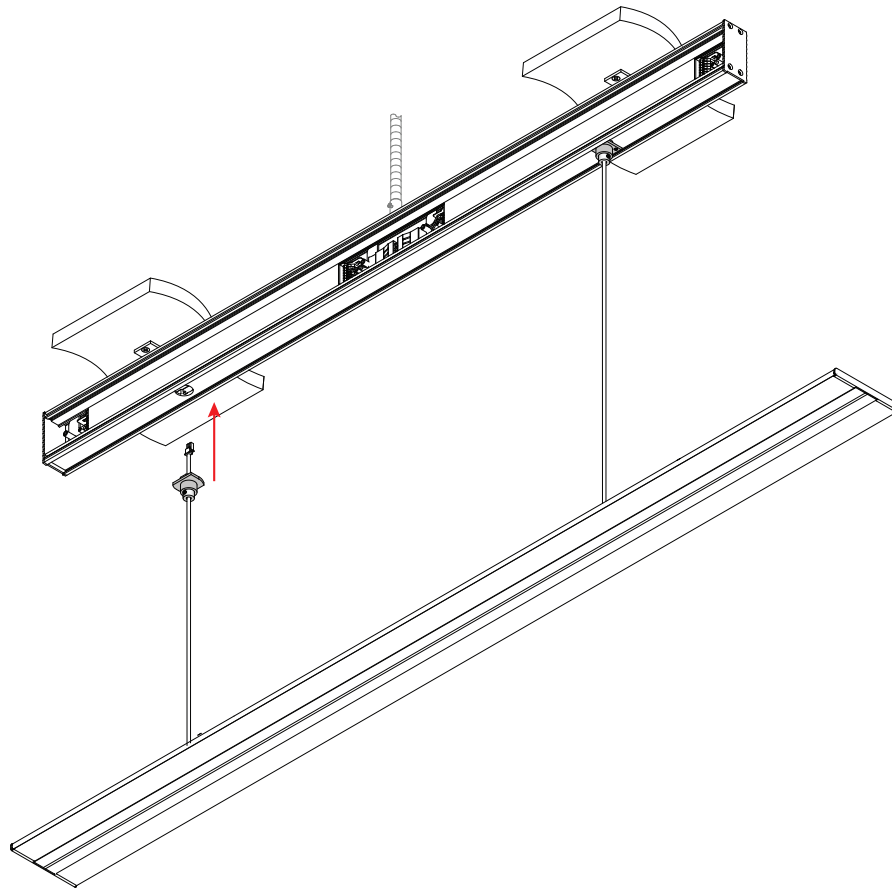
Installation Instructions

4 Attach Cable Assemblies

Remove fixture from packaging. Feed cable through pre-drilled holes on the bottom of power housing. Place cable assembly into channel and turn clockwise 90°. Use hex key to secure assembly in place.

Firmly press cable gripper to release cable and adjust length. When complete, gently tighten gripper set screw to secure cable. **DO NOT over tighten!**

NOTE: The cable marked with a green sleeve will power the uplights. The unmarked cable will power the downlight.



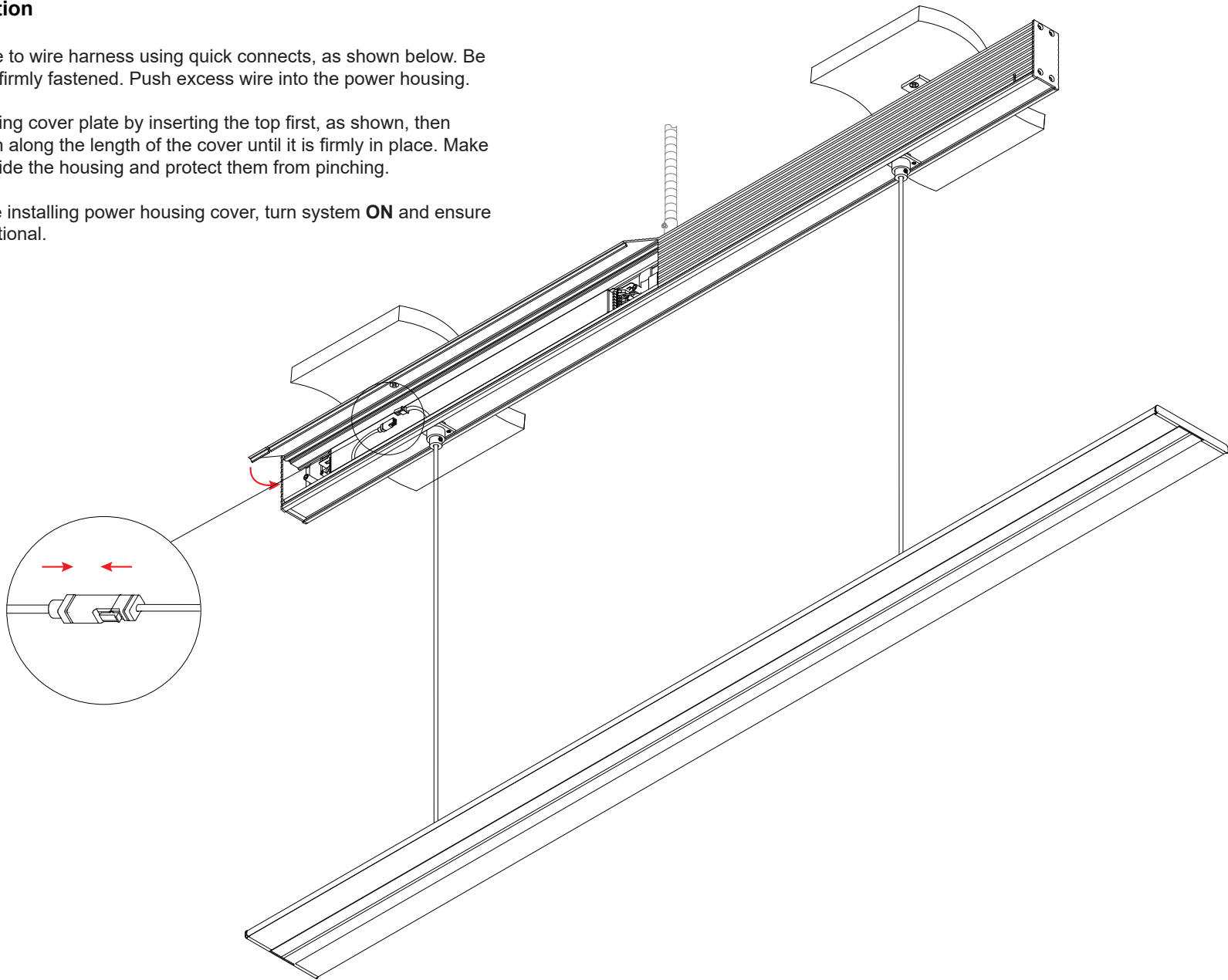
Installation Instructions

5 Finish Installation

Connect fixture cable to wire harness using quick connects, as shown below. Be sure connectors are firmly fastened. Push excess wire into the power housing.

Replace power housing cover plate by inserting the top first, as shown, then pressing gently down along the length of the cover until it is firmly in place. Make sure all wires are inside the housing and protect them from pinching.

IMPORTANT: Before installing power housing cover, turn system **ON** and ensure system is fully operational.



Appendix

Trouble Shooting Guide

Fixture will not turn on:

Check all wiring is correct and all connections are fastened properly.

If all wiring is correct, remove fixture and connect it to a known working driver.

If the fixture lights up, then the problem is with the installed driver or wiring:

- 1) Check line voltage to driver is present.
- 2) Check driver wiring (see **Vode Driver Guide for details**) and check wiring to fixture.
- 3) Check driver and dimming system are compatible (see **Vode Dimmer Guide and the dimmer manufacturer's website**).

If fixture still doesn't light up, check all dimming wires are installed correctly.

Reversed polarity at any point in the system will cause the entire system to not work, (see **Vode Driver Guide for wiring details**).

Fixture is not dimming properly:

Check all wiring is correct and all connections are fastened properly.

Check driver wiring (see **Vode Driver Guide for details**). Make sure driver is compatible with dimming controls (see **Vode Dimmer Guide and the dimmer manufacturer's website**).

For any help with installation or technical information, contact Vode Tech Service at 707-996-9898.

Important Notes

- Listed to UL standards for damp location by a Nationally Recognized Testing Laboratory (NRTL) recognized by OSHA
- Operating Temperature: 32°F to 104°F (0°C to 40°C).
- Input Voltage: 120v - 277v, 50/60hz.
- Power Type: Class 2 (<60v) constant current driver.
- Dimming curve is factory preset to linear. Logarithmic is available upon request. See Vode Driver Guide for specific details and wiring diagram.
- Unless specified, one driver per rail will be supplied.
- 5 Year Limited Warranty. All material and component parts manufactured by Vode are guaranteed to be free from defects of material and/or workmanship for a period of 5 years from date of sale. Product must be installed according to Vode installation instructions and accepted trade practices. Power supplies and other auxiliary equipment is not covered under Vode warranty but may be covered by separate OEM warranty.