



Spec Guide

ZipWave™ | Ceiling Cove | 707

Ceiling cove lighting system for ceiling wash applications.



ZipWave: indirect cove light.

Benefits & Features

Perfect Light Distribution

Optimized distribution, no tuning necessary. Designed for Armstrong® AXIOM® Indirect Light Coves and site-built coves.

Superior Light Quality with High Efficiency

Output up to 1516 lm/ft (4975 lm/m) (HO), 121 lm/W (SO). 80 or 90 CRI & tunable white (2200K-6500K) available.

Easy Installation, Minimal Electrical Circuits

Simply drops into cove, no tools required. Plug & play integral power and control circuits provided. Up to 533' can be powered with one 277v feed.

Better Beam Performance

FarThrow™ lens for long, even beam across the ceiling.



Quick Connect Cables.



Ceiling Cove installed in AXIOM Knife-Edge cove.

Build Your Specification

707-Z9	SL				0 >>
--------	----	--	--	--	------

System & Rail Type	System Type	System Length	Rail Length	Mounting	Arm/Cord Length
707-Z9 ZipWave	SL Standard Linear	Specify overall system length in ft/in or M/mm.	24 24" (610mm) 36 36" (914mm) 48 48" (1219mm) 60 60" (1524mm) 72 72" (1829mm) 96 96" (2438mm) ZZ Other rail length or layout (please specify)	EL Engineered Ceiling Cove, FarThrow™ AC Armstrong® Ceiling Cove, FarThrow™ ZZ Other (please specify)	0 None

>> IP				Z >>
-------	--	--	--	------

Power Location	Power Type	Voltage	Emergency Power	LED Type
IP Integral Power	Integral Power* AE eldoLED 0-10v, 1.0% Dimming AT eldoLED 0-10v, 0.1% Dimming AD eldoLED DALI, 0.1% Dimming AX eldoLED DMX, 100-0% Dimming AH Lutron, Hi-lume 1% EcoSystem, Soft On / Fade to Black Technology, LDE1 AH2 Lutron, Hi-lume 1% 2-wire LTEA2W (120V forward phase only) ZZ Other (please specify)	1 120v 2 120v-277v X Not Yet Specified	0 No Emergency Power ZZ Emergency Power (specify requirements)	Z Zipper Board™ ZZ Zipper Board™

*See [Power Guide](#) for driver features & limitations.

>>		C1		AL	0
----	--	----	--	----	---

Lumen Output	Color Temperature	Optics	Sensors	Finish	Options
LO Low Output SO Standard Output HO High Output* ZZ Other (please specify) See IES Files page for details.	80+ CRI 27 2700K 30 3000K 35 3500K 40 4000K 90+ CRI 279 2700K 309 3000K 359 3500K 409 4000K ZZ Other (please specify)	C1 Clear with EdgeSoft™	0 None ZZ Sensor (specify requirements)	AL Clear Anodized	0 None



Jumper Cables Sold Separately:

Vode offers a 2' (Part Number: PWH-707-Z9-24-MF-RLF-WJ) or 6' (Part Number: PWH-707-Z9-72-MF-RLF-WJ) jumper for corner installations. Please indicate on your order the type and quantity required.

5 Year Limited Warranty. See full Vode warranty description [here](#) or at [vode.com](#).

Listed to UL standards for damp location by a Nationally Recognized Testing Laboratory (NRTL) recognized by OSHA.

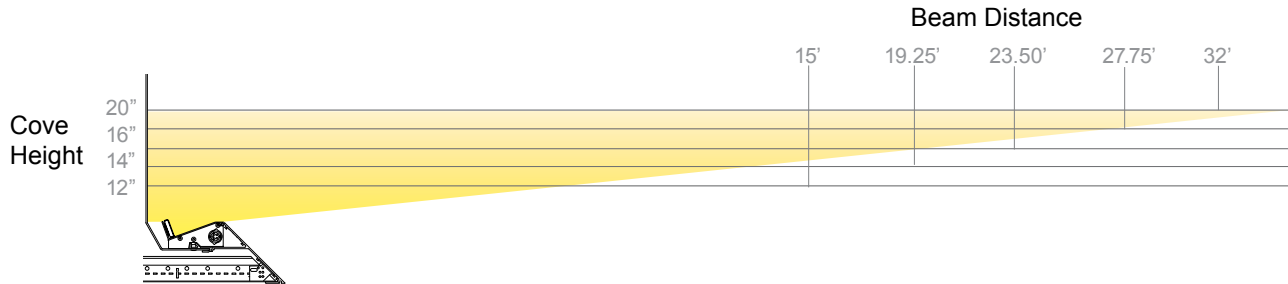


Applications

Vode supplies ZipWave cove product only. Armstrong cove products supplied by Armstrong.

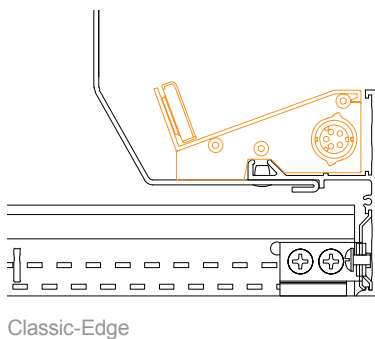
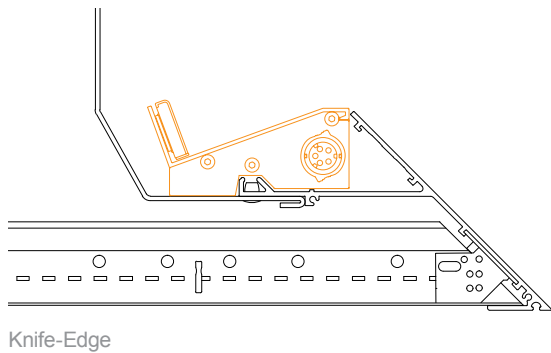
ZipWave FarThrow™ Ceiling Cove

The Armstrong® AXIOM® Ceiling-to-Ceiling Indirect Light Cove comes in different heights relative to the ceiling plane. The beam distance (the distance at which the soft edge of light crosses the ceiling plane) depends on the height of the ceiling cove.



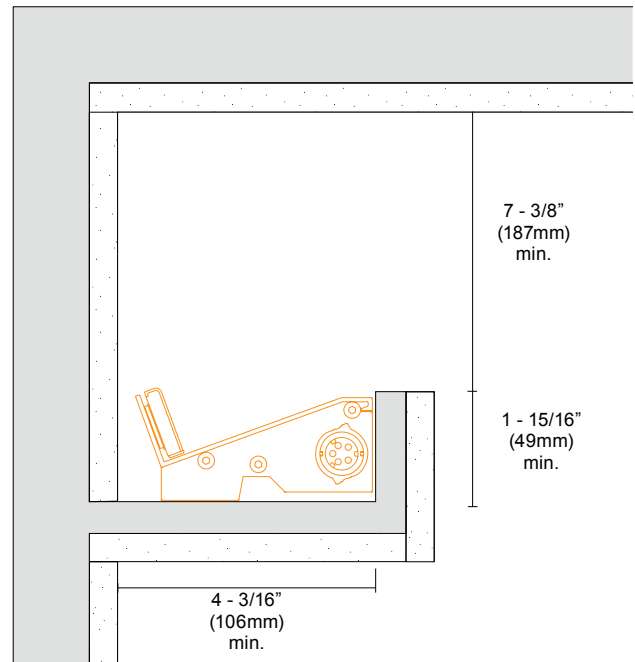
Armstrong AXIOM Indirect Light Cove, Ceiling-to-Ceiling

An architectural key way in Armstrong AXIOM Indirect Light Covers and Field Covers aligns ZipWave fixtures within the cove to provide consistent, optimized light for every installation.

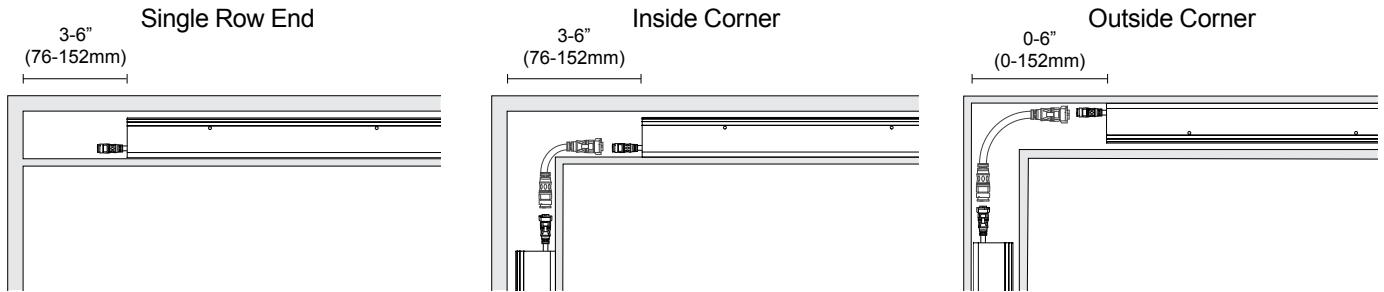


Engineered or Site-built Ceiling Cove

ZipWave can be placed in a wide variety of engineered commercial lighting coves and site-built coves. Use the following minimum dimensions to ensure optimal performance.



Corner Layout



Jumper Cables Sold Separately:

Vode offers a 2' (Part Number: PWH-707-Z9-24-MF-RLF-WJ) or 6' (Part Number: PWH-707-Z9-72-MF-RLF-WJ) jumper for corner installations. Please indicate on your order the type and quantity required.

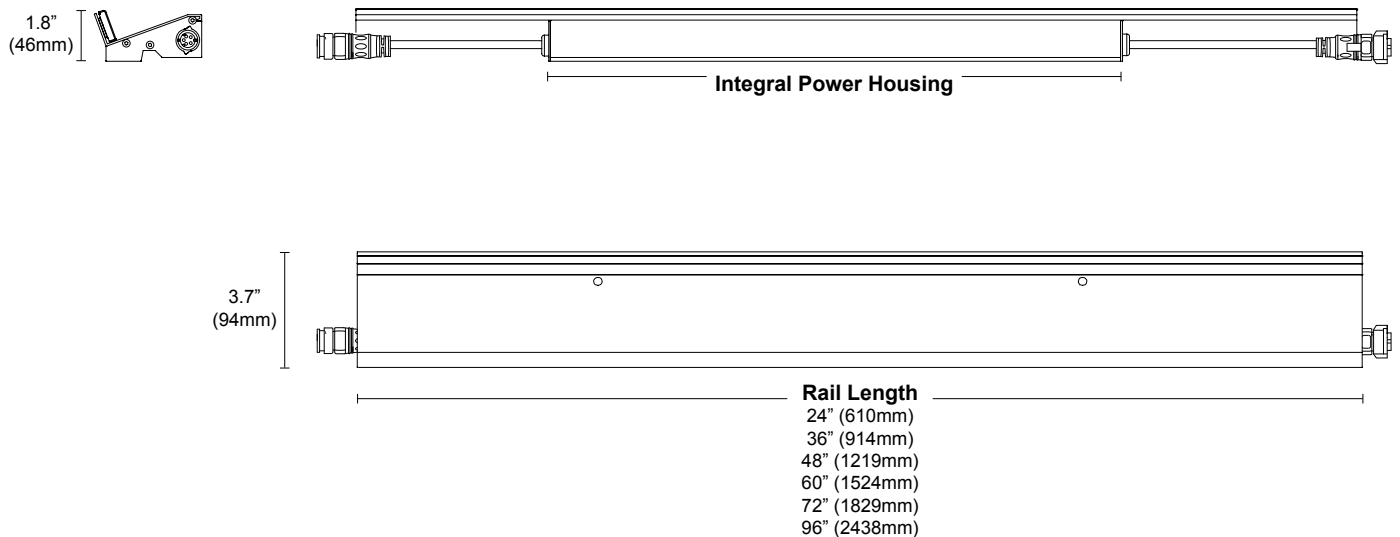
Structure

Rail Lengths	24" (610mm), 36" (914mm), 48" (1219mm), 60" (1524mm), 72" (1829mm), 96" (2438mm).
Rail Dimensions	1.8" (46mm) x 3.7" (94mm).
Construction	Extruded and machined 6063 aluminum.
Mounting	Integral power housing compatible with Armstrong AXIOM Indirect Light Coves, pre-fab and site-built coves.
System Run Length	24" (610mm) minimum. Rail lengths may be installed up to 533' (162m) on a single power feed.
Operating Temperature	32°F to 104°F (0°C to 40°C).
Humidity	0-95%, non-condensing.
Weight	1.1 lbs per ft (0.50kg per 305mm). <i>Weight will vary slightly due to driver selection.</i>

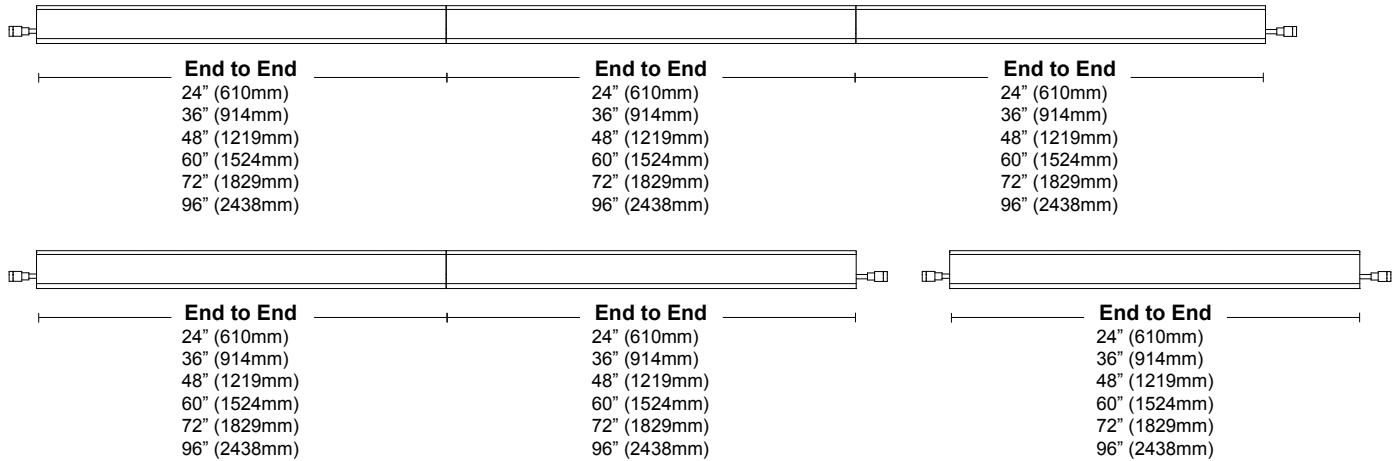
Materials

LED Board Construction	Aluminum core PCB, black LCP connectors, RoHS compliant.
Lens	High-impact extruded acrylic glass (PMMA).
Cable	Ø8mm, 6 wire, UL21388, Mylar White with UV resistant PVC jacket.

Dimensions



Layout



System Length per Power Feed

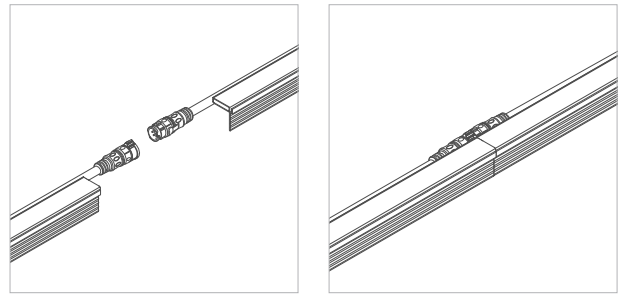
24" - 72" Rail Lengths

Input Voltage	Output		
	LO	SO	HO
120	267' (81m)	134' (40m)	67' (20m)
277	615' (187m)	308' (93m)	154' (46m)

96" Rail Lengths *(any system that contains at least one 96" rail)*

Input Voltage	Output		
	LO	SO	HO
120	209' (63m)	107' (32m)	54' (16m)
277	481' (146m)	247' (75m)	124' (37m)

Quick Connect Cables



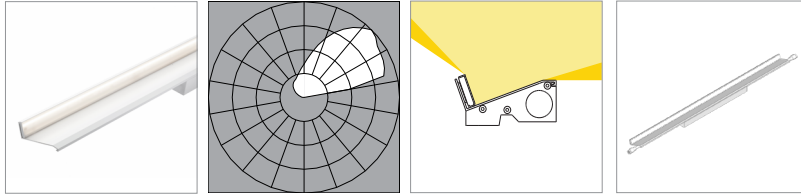
Power and Controls

Power Type	Class 2 (<60v output) constant current driver.
Controls	Dimming (0.1%, 1%), 0-10v, DALI, DMX, Lutron Hi-lume 1% are available. See Power Guide for details.
Input Voltage	120v - 277v, 50/60hz.
Power Location	Integral power only. Power cable is 27" (686mm) with 7.875" (200mm) male-male jumper.

Performance | Zipper LED

Zipper Board has 72 diodes per foot (305mm). Testing based on a 4' rail section. Lumen measurement complies with IES-LM-79-08 testing procedures.

Clear with EdgeSoft (C1), fixture only



L80 >60,000 hours

	80 CRI (80min., 84 avg.)				90 CRI (90min., 96 avg.)			
	2700K	3000K	3500K	4000K	2700K	3000K	3500K	4000K
Low Output (LO)								
Efficacy - Lumens per Watt	110	114	116	116	95	98	100	101
Lumens per foot (305mm)	409	422	431	431	353	364	371	375
Watts per foot (305mm)	3.8	3.8	3.8	3.8	3.8	3.8	3.8	3.8

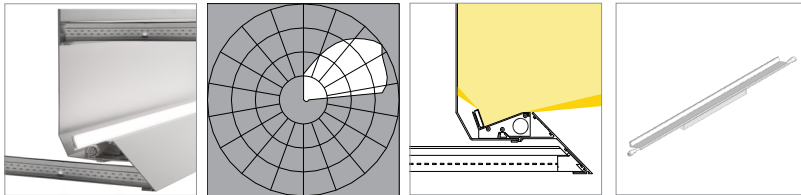
Standard Output (SO)

Efficacy - Lumens per Watt	125	128	131	131	107	111	113	114
Lumens per foot (305mm)	818	844	861	861	705	728	742	750
Watts per foot (305mm)	6.6	6.6	6.6	6.6	6.7	6.7	6.7	6.7

High Output (HO)

Efficacy - Lumens per Watt	116	120	122	122	100	103	106	107
Lumens per foot (305mm)	1555	1604	1636	1636	1340	1383	1411	1425
Watts per foot (305mm)	13.5	13.5	13.5	13.5	13.5	13.5	13.5	13.5

Clear with EdgeSoft (C1), in cove¹



L80 >60,000 hours

	80 CRI (80min., 84 avg.)				90 CRI (90min., 96 avg.)			
	2700K	3000K	3500K	4000K	2700K	3000K	3500K	4000K
Low Output (LO)								
Efficacy - Lumens per Watt	107	111	113	113	93	96	98	102
Lumens per foot (305mm)	398	411	419	419	343	354	361	365
Watts per foot (305mm)	3.8	3.8	3.8	3.8	3.8	3.8	3.8	3.8

Standard Output (SO)

Efficacy - Lumens per Watt	121	125	128	128	104	108	110	114
Lumens per foot (305mm)	796	821	838	838	686	708	722	730
Watts per foot (305mm)	6.6	6.6	6.6	6.6	6.7	6.7	6.7	6.7

High Output (HO)

Efficacy - Lumens per Watt	113	117	119	119	98	101	103	107
Lumens per foot (305mm)	1513	1560	1592	1592	1304	1345	1373	1386
Watts per foot (305mm)	13.5	13.5	13.5	13.5	13.5	13.5	13.5	13.5

NOTES & LIMITATIONS

¹Based on testing 4' rail section placed inside 4' cove section of an Armstrong AXIOM Indirect Light Cove, classic profile. Lumen measurement complies with IES-LM-79-08 testing procedures.

© 2018 Vode Lighting LLC. All rights reserved.

The Vode logo and Vode, ZipWave, FarThrow and Zipper Board names are either registered trademarks or trademarks of Vode Lighting LLC in the United States and/or other countries. All other brand or product names are trademarks or registered trademarks of their respective owners. Due to ongoing innovation, specifications may change without notice.