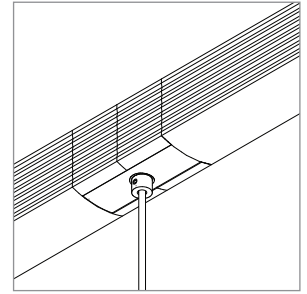
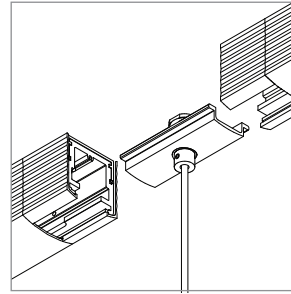


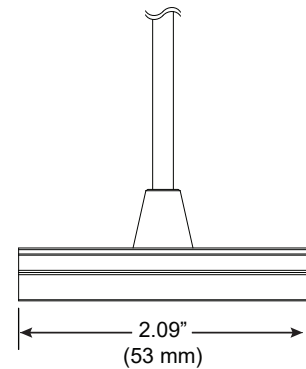
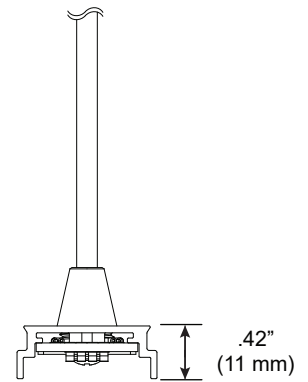
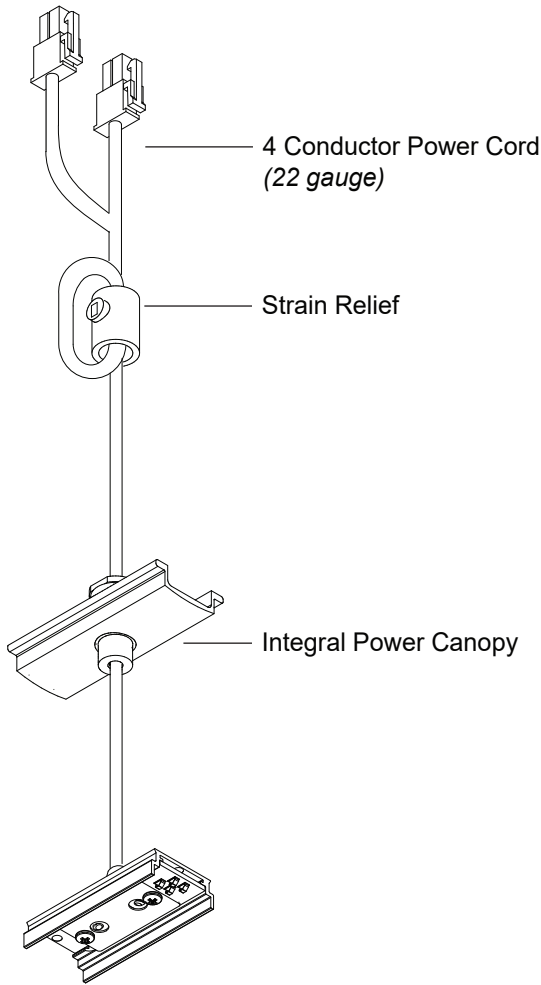
Integral Power, Direct/Indirect Coupler

For use with System | 207

Connects System | 207 rails for integral power ceiling cable installations.



Technical Support: 707-996-9898



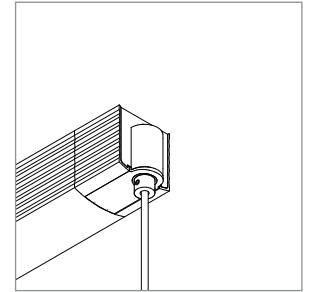
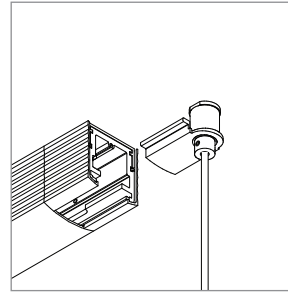
PART NUMBER 207-BX-CP-XX-CC-IP-4C-YY

DESCRIPTION System LED 207, suspension coupler, 48" or 96" (1219mm or 2438mm) cable, integral power, 4 conductor with PCBA and terminal, Available in anodized aluminum (AL) and white painted (WH) with white cable and white canopy, black anodized (AB) with black cable and black canopy.

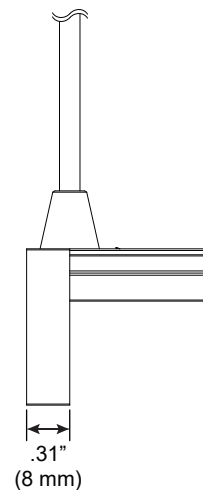
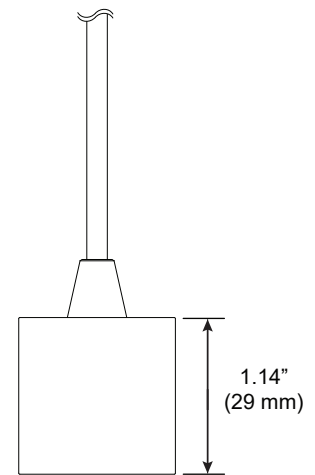
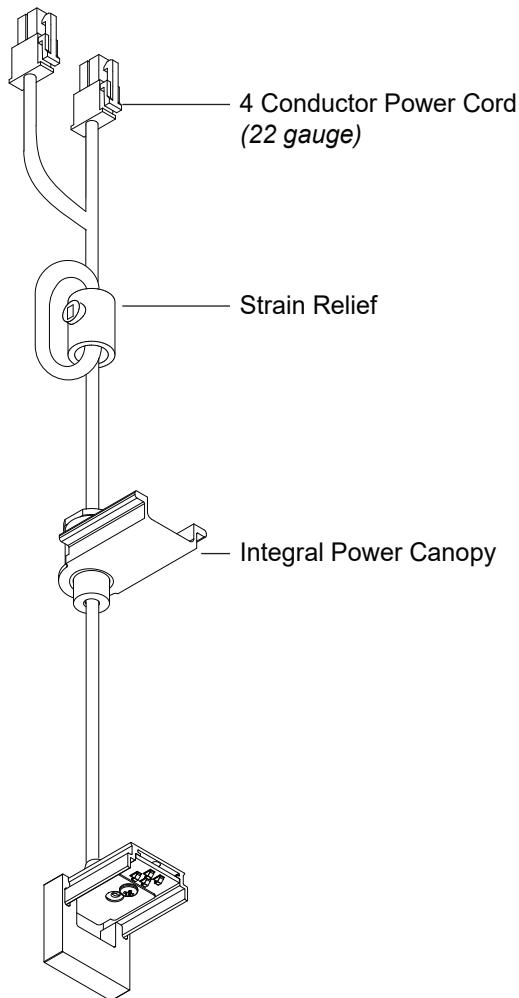
Integral Power, Direct/Indirect Right Hub

For use with System | 207

Mounts System | 207 rails for integral power ceiling cable installations.



Technical Support: 707-996-9898



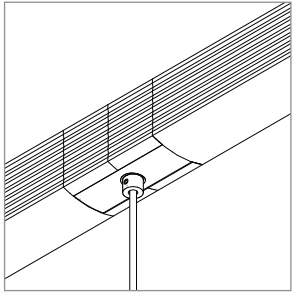
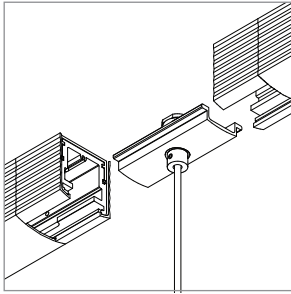
PART NUMBER 207-BX-HB-XX-CC-IP-4C-R-YY

DESCRIPTION System LED 207, right powered suspension hub, 48" or 96" (1219mm or 2438mm) cable, integral power, 4 conductor with PCBA and terminal, Available in anodized aluminum (AL) and white painted (WH) with white cable and white canopy, black anodized (AB) with black cable and black canopy.

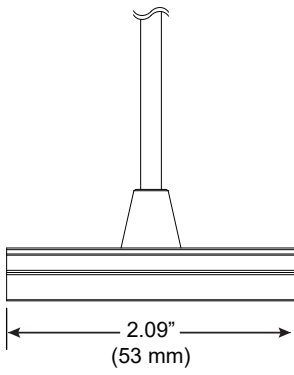
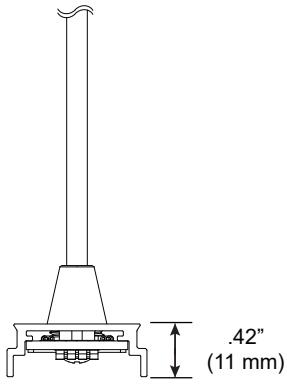
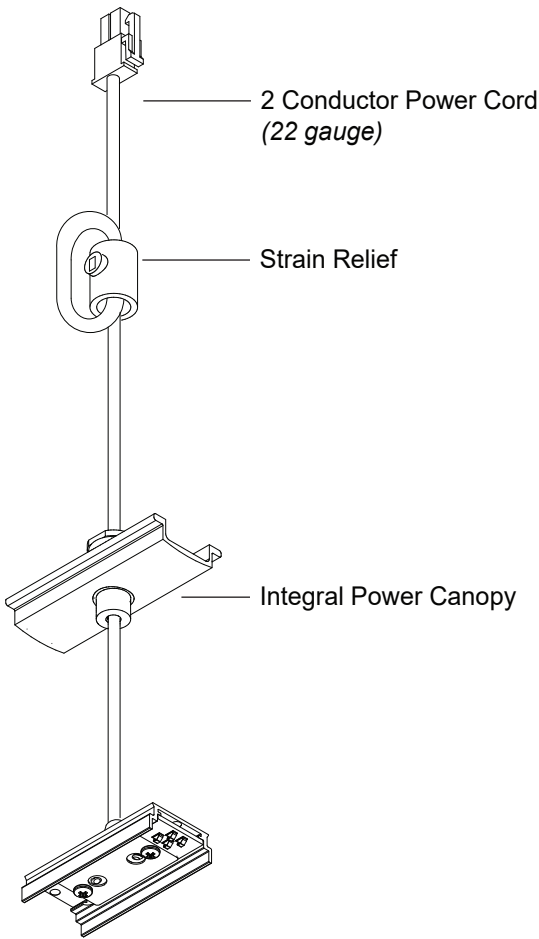
Integral Power, Single Direction Coupler

For use with System | 207

Connects System | 207 rails for integral power ceiling cable installations.



Technical Support: 707-996-9898



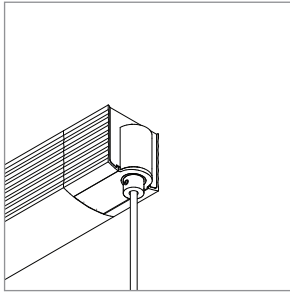
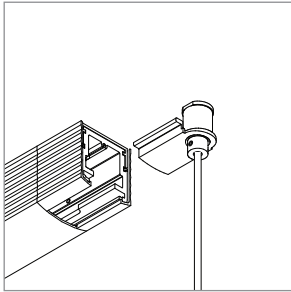
PART NUMBER 207-BX-CP-XX-CC-(UL/DL)-IP-2C-YY

DESCRIPTION System LED 207, suspension coupler, 48" or 96" (1219mm or 2438mm) cable, integral power, 2 conductor with PCBA and terminal, Available in anodized aluminum (AL) and white painted (WH) with white cable and white canopy, black anodized (AB) with black cable and black canopy.

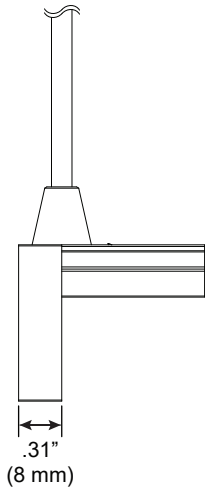
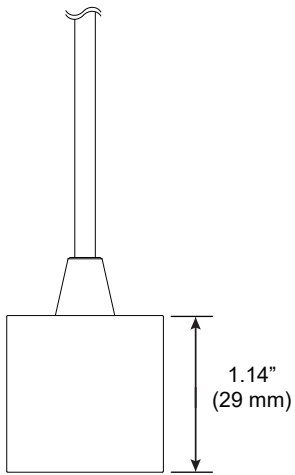
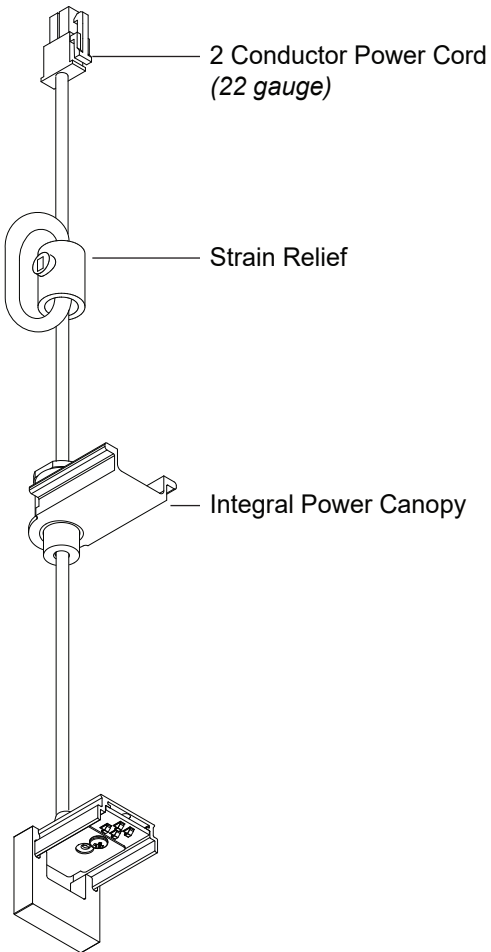
Integral Power, Single Direction Right Hub

For use with System | 207

Mounts System | 207 rails for integral power ceiling cable installations.



Technical Support: 707-996-9898



PART NUMBER 207-BX-HB-XX-CC-(UL/DL)-IP-2C-R-YY

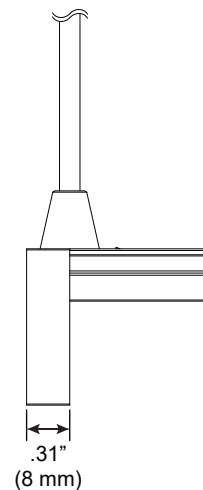
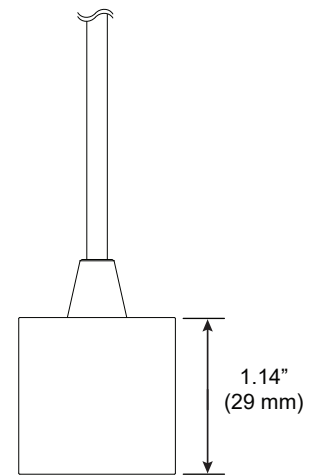
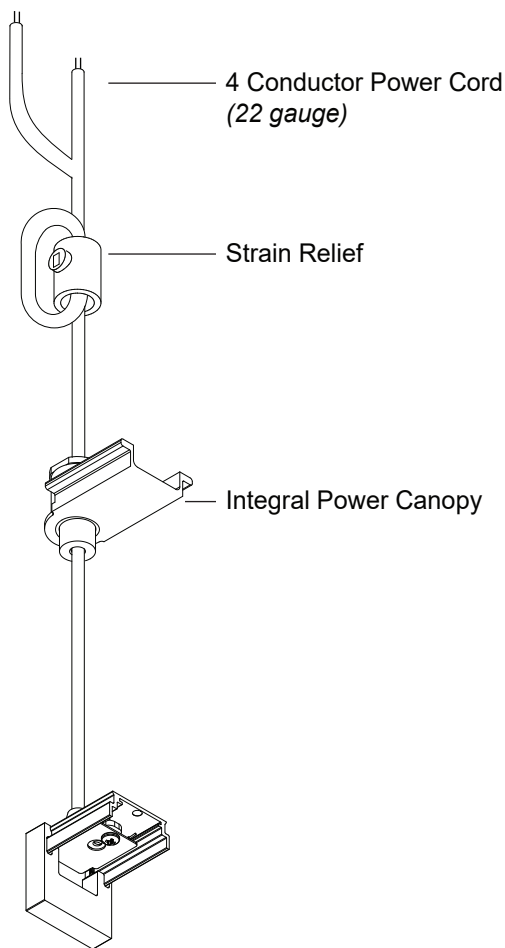
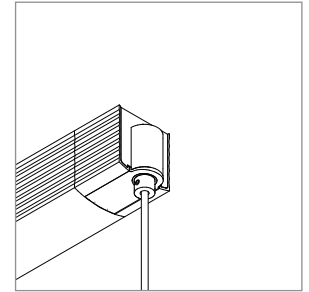
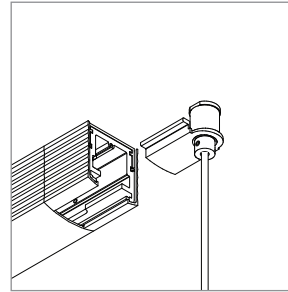
DESCRIPTION System LED 207, right powered suspension hub, 48" or 96" (1219mm or 2438mm) cable, integral power, 2 conductor with PCBA and terminal, Available in anodized aluminum (AL) and white painted (WH) with white cable and white canopy, black anodized (AB) with black cable and black canopy.

Integral Power, Left Hub

For use with System | 207

Mounts System | 207 rails for integral power ceiling cable installations.

Technical Support: 707-996-9898



PART NUMBER 207-BX-HB-XX-CC-IP-L-YY

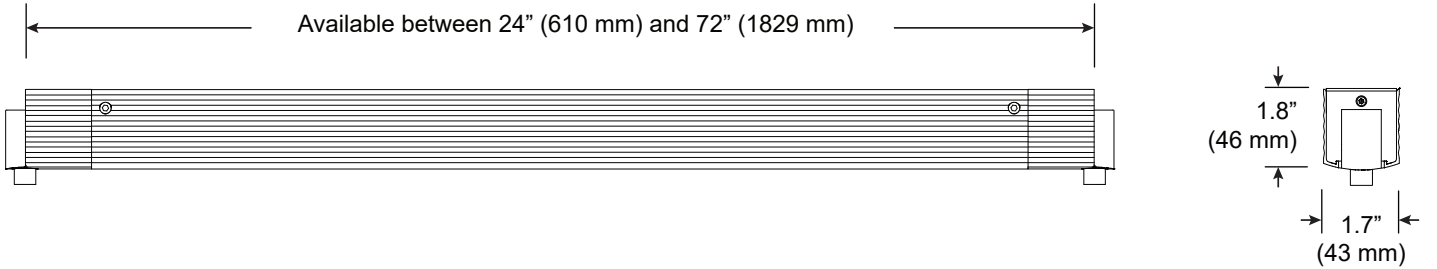
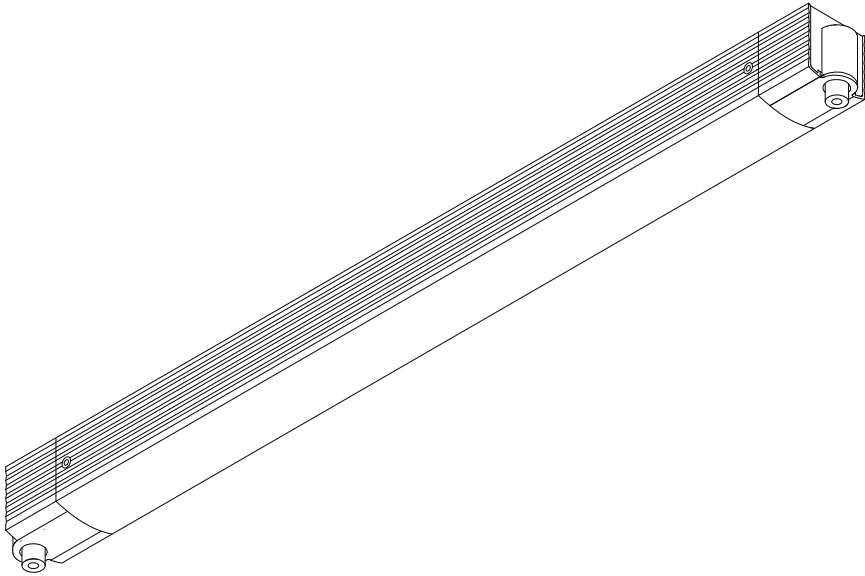
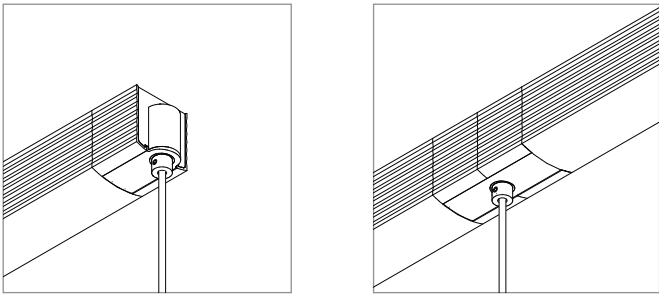
DESCRIPTION System LED 207, left non-powered suspension hub, 48" or 96" (1219 mm or 2438 mm) cable, integral power, 4 conductor without PCBA and terminal, Available in anodized aluminum (AL) and white painted (WH) with white cable and white canopy, black anodized (AB) with black cable and black canopy.

Ceiling Cable Integral Power

For use with System | 207

Houses integral power supply. Direct conduit feed is recommended, but integral power supply housing will mount to any standard North America 4" j-box. Mounts to most surfaces. Blocking is recommended at all arm junctions.

Technical Support: 707-996-9898



PART NUMBER **107-IP-...-C-YY**

DESCRIPTION Ceiling Cable Power Housing, System 107, integral, available in anodized aluminum (AL), white painted (WH) and black anodized (AB)